

VOLTHAUS

made for you

MCB



LOW-VOLTAGE ELECTRICAL PRODUCTS

2024

volthaus.net

IEC 60898-1



Circuit breakers (MCB) of the VYM9 series are designed to protect against overload and short circuit, and also in case of infrequent operation can be used as a disconnecter (for example, in case of malfunction) in AC circuits. They are used in the construction of input and distribution electrical panels in apartments, country houses, office and industrial facilities. They are used in AC electrical circuits with a frequency of 50/60 Hz, a rated voltage of 230/400 V and a rated current of up to 63 A.

Technical parameter

Electrical characteristics						
Poles	Rated current (In)	Rated voltage (Ue)	Rated insulation voltage (Ui)	Rated frequency	Dielectric test voltage	Trip method
1P, 2P, 3P, 4P	1, 2, 3, 4, 6, 10, 16, 20, 25, 32, 40, 50, 63A	230/400V	500V	50/60Hz	2000V/1min.	Thermal magnetic trip

Electrical characteristics					
Rated impulse withstand voltage (Uimp)	Rated breaking capacity (Icn)	Operating breaking capacity (Ics)	Thermo-magnetic release characteristic		
			B:(3~5)In	C:(5~10)In	D:(10~16)In
4kV	6kA; 10kA	6kA; 7,5kA	■	■	■

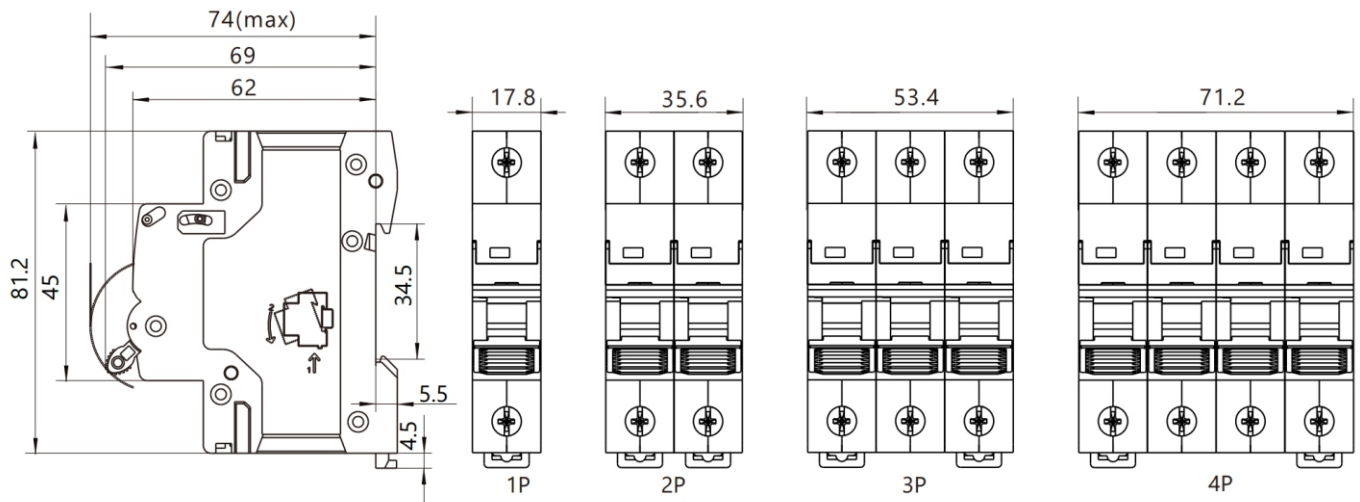
Mechanical properties							
Mechanical life	Electric life		Protection class		Reference temperature for setting of thermal element	Ambient temperature	Storage temperature
	240/h (≤ below 32A)	120/h (> 32A)	Direct install	Installed in distribution box			
20000	10000 (≤20A)	6000 (> 20A)	Ip20	Ip40	30°C	-25°C +40°C	-25°C +60°C

Other characteristics					
Wiring size		Contact Status Indication	Circuit identification	Connection	Assemblable accessories
Copper/Hard Wire	Cord/Hoop Terminals				
1-25mm ²	1-16mm ²	■	■	Top and bottom	■

Electrical diagram

Poles			
1P	2P	3P	4P

Overall and installation dimensions

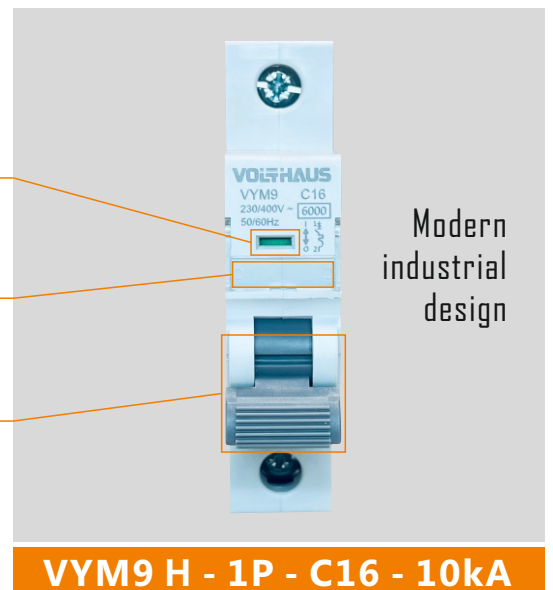


Product features

Built-in indicator window that helps to determine the position of the contact

Labelling - circuit identification by way of a label inserted in the label holder situated on the front of the product

Handle with "soft" on and off, comfort in using the circuit breaker



Product model (article number)

Series MCB

The identifier of the large indicator of the nominal limit short-circuit current (at a value of 6 kA is not specified)

Pole: 1P, 2P, 3P, 4P

Electromagnetic trip curve: B, C, D

Rated current (A): 1, 2, 3, 4, 6, 10, 16, 20, 25, 32, 40, 50, 63

Rated limit short circuit current (kA): 6, 10

VOITHAUS

MCB

MCB (Curve B)				
Article number	Poles	Curve	Rated current In [A]	Rated breaking capacity Icn [kA]
VYM9-1P-B01-6kA	1	B	1	6
VYM9-1P-B02-6kA	1	B	2	6
VYM9-1P-B03-6kA	1	B	3	6
VYM9-1P-B04-6kA	1	B	4	6
VYM9-1P-B06-6kA	1	B	6	6
VYM9-1P-B10-6kA	1	B	10	6
VYM9-1P-B16-6kA	1	B	16	6
VYM9-1P-B20-6kA	1	B	20	6
VYM9-1P-B25-6kA	1	B	25	6
VYM9-1P-B32-6kA	1	B	32	6
VYM9-1P-B40-6kA	1	B	40	6
VYM9-1P-B50-6kA	1	B	50	6
VYM9-1P-B63-6kA	1	B	63	6
VYM9-2P-B01-6kA	2	B	1	6
VYM9-2P-B02-6kA	2	B	2	6
VYM9-2P-B03-6kA	2	B	3	6
VYM9-2P-B04-6kA	2	B	4	6
VYM9-2P-B06-6kA	2	B	6	6
VYM9-2P-B10-6kA	2	B	10	6
VYM9-2P-B16-6kA	2	B	16	6
VYM9-2P-B20-6kA	2	B	20	6
VYM9-2P-B25-6kA	2	B	25	6
VYM9-2P-B32-6kA	2	B	32	6
VYM9-2P-B40-6kA	2	B	40	6
VYM9-2P-B50-6kA	2	B	50	6
VYM9-2P-B63-6kA	2	B	63	6
VYM9-3P-B01-6kA	3	B	1	6
VYM9-3P-B02-6kA	3	B	2	6
VYM9-3P-B03-6kA	3	B	3	6
VYM9-3P-B04-6kA	3	B	4	6
VYM9-3P-B06-6kA	3	B	6	6
VYM9-3P-B10-6kA	3	B	10	6
VYM9-3P-B16-6kA	3	B	16	6
VYM9-3P-B20-6kA	3	B	20	6
VYM9-3P-B25-6kA	3	B	25	6
VYM9-3P-B32-6kA	3	B	32	6
VYM9-3P-B40-6kA	3	B	40	6
VYM9-3P-B50-6kA	3	B	50	6
VYM9-3P-B63-6kA	3	B	63	6
VYM9-4P-B01-6kA	4	B	1	6
VYM9-4P-B02-6kA	4	B	2	6
VYM9-4P-B03-6kA	4	B	3	6
VYM9-4P-B04-6kA	4	B	4	6
VYM9-4P-B06-6kA	4	B	6	6
VYM9-4P-B10-6kA	4	B	10	6
VYM9-4P-B16-6kA	4	B	16	6
VYM9-4P-B20-6kA	4	B	20	6
VYM9-4P-B25-6kA	4	B	25	6
VYM9-4P-B32-6kA	4	B	32	6
VYM9-4P-B40-6kA	4	B	40	6
VYM9-4P-B50-6kA	4	B	50	6
VYM9-4P-B63-6kA	4	B	63	6

MCB (Curve B)				
Article number	Poles	Curve	Rated current In [A]	Rated breaking capacity Icn [kA]
VYM9H-1P-B01-10kA	1	B	1	10
VYM9H-1P-B02-10kA	1	B	2	10
VYM9H-1P-B03-10kA	1	B	3	10
VYM9H-1P-B04-10kA	1	B	4	10
VYM9H-1P-B06-10kA	1	B	6	10
VYM9H-1P-B10-10kA	1	B	10	10
VYM9H-1P-B16-10kA	1	B	16	10
VYM9H-1P-B20-10kA	1	B	20	10
VYM9H-1P-B25-10kA	1	B	25	10
VYM9H-1P-B32-10kA	1	B	32	10
VYM9H-1P-B40-10kA	1	B	40	10
VYM9H-1P-B50-10kA	1	B	50	10
VYM9H-1P-B63-10kA	1	B	63	10
VYM9H-2P-B01-10kA	2	B	1	10
VYM9H-2P-B02-10kA	2	B	2	10
VYM9H-2P-B03-10kA	2	B	3	10
VYM9H-2P-B04-10kA	2	B	4	10
VYM9H-2P-B06-10kA	2	B	6	10
VYM9H-2P-B10-10kA	2	B	10	10
VYM9H-2P-B16-10kA	2	B	16	10
VYM9H-2P-B20-10kA	2	B	20	10
VYM9H-2P-B25-10kA	2	B	25	10
VYM9H-2P-B32-10kA	2	B	32	10
VYM9H-2P-B40-10kA	2	B	40	10
VYM9H-2P-B50-10kA	2	B	50	10
VYM9H-2P-B63-10kA	2	B	63	10
VYM9H-3P-B01-10kA	3	B	1	10
VYM9H-3P-B02-10kA	3	B	2	10
VYM9H-3P-B03-10kA	3	B	3	10
VYM9H-3P-B04-10kA	3	B	4	10
VYM9H-3P-B06-10kA	3	B	6	10
VYM9H-3P-B10-10kA	3	B	10	10
VYM9H-3P-B16-10kA	3	B	16	10
VYM9H-3P-B20-10kA	3	B	20	10
VYM9H-3P-B25-10kA	3	B	25	10
VYM9H-3P-B32-10kA	3	B	32	10
VYM9H-3P-B40-10kA	3	B	40	10
VYM9H-3P-B50-10kA	3	B	50	10
VYM9H-3P-B63-10kA	3	B	63	10
VYM9H-4P-B01-10kA	4	B	1	10
VYM9H-4P-B02-10kA	4	B	2	10
VYM9H-4P-B03-10kA	4	B	3	10
VYM9H-4P-B04-10kA	4	B	4	10
VYM9H-4P-B06-10kA	4	B	6	10
VYM9H-4P-B10-10kA	4	B	10	10
VYM9H-4P-B16-10kA	4	B	16	10
VYM9H-4P-B20-10kA	4	B	20	10
VYM9H-4P-B25-10kA	4	B	25	10
VYM9H-4P-B32-10kA	4	B	32	10
VYM9H-4P-B40-10kA	4	B	40	10
VYM9H-4P-B50-10kA	4	B	50	10
VYM9H-4P-B63-10kA	4	B	63	10

MCB (Curve C)				
Article number	Poles	Curve	Rated current In [A]	Rated breaking capacity Icn [kA]
VYM9-1P-C01-6kA	1	C	1	6
VYM9-1P-C02-6kA	1	C	2	6
VYM9-1P-C03-6kA	1	C	3	6
VYM9-1P-C04-6kA	1	C	4	6
VYM9-1P-C06-6kA	1	C	6	6
VYM9-1P-C10-6kA	1	C	10	6
VYM9-1P-C16-6kA	1	C	16	6
VYM9-1P-C20-6kA	1	C	20	6
VYM9-1P-C25-6kA	1	C	25	6
VYM9-1P-C32-6kA	1	C	32	6
VYM9-1P-C40-6kA	1	C	40	6
VYM9-1P-C50-6kA	1	C	50	6
VYM9-1P-C63-6kA	1	C	63	6
VYM9-2P-C01-6kA	2	C	1	6
VYM9-2P-C02-6kA	2	C	2	6
VYM9-2P-C03-6kA	2	C	3	6
VYM9-2P-C04-6kA	2	C	4	6
VYM9-2P-C06-6kA	2	C	6	6
VYM9-2P-C10-6kA	2	C	10	6
VYM9-2P-C16-6kA	2	C	16	6
VYM9-2P-C20-6kA	2	C	20	6
VYM9-2P-C25-6kA	2	C	25	6
VYM9-2P-C32-6kA	2	C	32	6
VYM9-2P-C40-6kA	2	C	40	6
VYM9-2P-C50-6kA	2	C	50	6
VYM9-2P-C63-6kA	2	C	63	6
VYM9-3P-C01-6kA	3	C	1	6
VYM9-3P-C02-6kA	3	C	2	6
VYM9-3P-C03-6kA	3	C	3	6
VYM9-3P-C04-6kA	3	C	4	6
VYM9-3P-C06-6kA	3	C	6	6
VYM9-3P-C10-6kA	3	C	10	6
VYM9-3P-C16-6kA	3	C	16	6
VYM9-3P-C20-6kA	3	C	20	6
VYM9-3P-C25-6kA	3	C	25	6
VYM9-3P-C32-6kA	3	C	32	6
VYM9-3P-C40-6kA	3	C	40	6
VYM9-3P-C50-6kA	3	C	50	6
VYM9-3P-C63-6kA	3	C	63	6
VYM9-4P-C01-6kA	4	C	1	6
VYM9-4P-C02-6kA	4	C	2	6
VYM9-4P-C03-6kA	4	C	3	6
VYM9-4P-C04-6kA	4	C	4	6
VYM9-4P-C06-6kA	4	C	6	6
VYM9-4P-C10-6kA	4	C	10	6
VYM9-4P-C16-6kA	4	C	16	6
VYM9-4P-C20-6kA	4	C	20	6
VYM9-4P-C25-6kA	4	C	25	6
VYM9-4P-C32-6kA	4	C	32	6
VYM9-4P-C40-6kA	4	C	40	6
VYM9-4P-C50-6kA	4	C	50	6
VYM9-4P-C63-6kA	4	C	63	6

MCB (Curve C)				
Article number	Poles	Curve	Rated current In [A]	Rated breaking capacity Icn [kA]
VYM9H-1P-C01-10kA	1	C	1	10
VYM9H-1P-C02-10kA	1	C	2	10
VYM9H-1P-C03-10kA	1	C	3	10
VYM9H-1P-C04-10kA	1	C	4	10
VYM9H-1P-C06-10kA	1	C	6	10
VYM9H-1P-C10-10kA	1	C	10	10
VYM9H-1P-C16-10kA	1	C	16	10
VYM9H-1P-C20-10kA	1	C	20	10
VYM9H-1P-C25-10kA	1	C	25	10
VYM9H-1P-C32-10kA	1	C	32	10
VYM9H-1P-C40-10kA	1	C	40	10
VYM9H-1P-C50-10kA	1	C	50	10
VYM9H-1P-C63-10kA	1	C	63	10
VYM9H-2P-C01-10kA	2	C	1	10
VYM9H-2P-C02-10kA	2	C	2	10
VYM9H-2P-C03-10kA	2	C	3	10
VYM9H-2P-C04-10kA	2	C	4	10
VYM9H-2P-C06-10kA	2	C	6	10
VYM9H-2P-C10-10kA	2	C	10	10
VYM9H-2P-C16-10kA	2	C	16	10
VYM9H-2P-C20-10kA	2	C	20	10
VYM9H-2P-C25-10kA	2	C	25	10
VYM9H-2P-C32-10kA	2	C	32	10
VYM9H-2P-C40-10kA	2	C	40	10
VYM9H-2P-C50-10kA	2	C	50	10
VYM9H-2P-C63-10kA	2	C	63	10
VYM9H-3P-C01-10kA	3	C	1	10
VYM9H-3P-C02-10kA	3	C	2	10
VYM9H-3P-C03-10kA	3	C	3	10
VYM9H-3P-C04-10kA	3	C	4	10
VYM9H-3P-C06-10kA	3	C	6	10
VYM9H-3P-C10-10kA	3	C	10	10
VYM9H-3P-C16-10kA	3	C	16	10
VYM9H-3P-C20-10kA	3	C	20	10
VYM9H-3P-C25-10kA	3	C	25	10
VYM9H-3P-C32-10kA	3	C	32	10
VYM9H-3P-C40-10kA	3	C	40	10
VYM9H-3P-C50-10kA	3	C	50	10
VYM9H-3P-C63-10kA	3	C	63	10
VYM9H-4P-C01-10kA	4	C	1	10
VYM9H-4P-C02-10kA	4	C	2	10
VYM9H-4P-C03-10kA	4	C	3	10
VYM9H-4P-C04-10kA	4	C	4	10
VYM9H-4P-C06-10kA	4	C	6	10
VYM9H-4P-C10-10kA	4	C	10	10
VYM9H-4P-C16-10kA	4	C	16	10
VYM9H-4P-C20-10kA	4	C	20	10
VYM9H-4P-C25-10kA	4	C	25	10
VYM9H-4P-C32-10kA	4	C	32	10
VYM9H-4P-C40-10kA	4	C	40	10
VYM9H-4P-C50-10kA	4	C	50	10
VYM9H-4P-C63-10kA	4	C	63	10

MCB (Curve D)				
Article number	Poles	Curve	Rated current In [A]	Rated breaking capacity Icn [kA]
VYM9-1P-D01-6kA	1	D	1	6
VYM9-1P-D02-6kA	1	D	2	6
VYM9-1P-D03-6kA	1	D	3	6
VYM9-1P-D04-6kA	1	D	4	6
VYM9-1P-D06-6kA	1	D	6	6
VYM9-1P-D10-6kA	1	D	10	6
VYM9-1P-D16-6kA	1	D	16	6
VYM9-1P-D20-6kA	1	D	20	6
VYM9-1P-D25-6kA	1	D	25	6
VYM9-1P-D32-6kA	1	D	32	6
VYM9-1P-D40-6kA	1	D	40	6
VYM9-1P-D50-6kA	1	D	50	6
VYM9-1P-D63-6kA	1	D	63	6
VYM9-2P-D01-6kA	2	D	1	6
VYM9-2P-D02-6kA	2	D	2	6
VYM9-2P-D03-6kA	2	D	3	6
VYM9-2P-D04-6kA	2	D	4	6
VYM9-2P-D06-6kA	2	D	6	6
VYM9-2P-D10-6kA	2	D	10	6
VYM9-2P-D16-6kA	2	D	16	6
VYM9-2P-D20-6kA	2	D	20	6
VYM9-2P-D25-6kA	2	D	25	6
VYM9-2P-D32-6kA	2	D	32	6
VYM9-2P-D40-6kA	2	D	40	6
VYM9-2P-D50-6kA	2	D	50	6
VYM9-2P-D63-6kA	2	D	63	6
VYM9-3P-D01-6kA	3	D	1	6
VYM9-3P-D02-6kA	3	D	2	6
VYM9-3P-D03-6kA	3	D	3	6
VYM9-3P-D04-6kA	3	D	4	6
VYM9-3P-D06-6kA	3	D	6	6
VYM9-3P-D10-6kA	3	D	10	6
VYM9-3P-D16-6kA	3	D	16	6
VYM9-3P-D20-6kA	3	D	20	6
VYM9-3P-D25-6kA	3	D	25	6
VYM9-3P-D32-6kA	3	D	32	6
VYM9-3P-D40-6kA	3	D	40	6
VYM9-3P-D50-6kA	3	D	50	6
VYM9-3P-D63-6kA	3	D	63	6
VYM9-4P-D01-6kA	4	D	1	6
VYM9-4P-D02-6kA	4	D	2	6
VYM9-4P-D03-6kA	4	D	3	6
VYM9-4P-D04-6kA	4	D	4	6
VYM9-4P-D06-6kA	4	D	6	6
VYM9-4P-D10-6kA	4	D	10	6
VYM9-4P-D16-6kA	4	D	16	6
VYM9-4P-D20-6kA	4	D	20	6
VYM9-4P-D25-6kA	4	D	25	6
VYM9-4P-D32-6kA	4	D	32	6
VYM9-4P-D40-6kA	4	D	40	6
VYM9-4P-D50-6kA	4	D	50	6
VYM9-4P-D63-6kA	4	D	63	6

MCB (Curve D)				
Article number	Poles	Curve	Rated current In [A]	Rated breaking capacity Icn [kA]
VYM9H-1P-D01-10kA	1	D	1	10
VYM9H-1P-D02-10kA	1	D	2	10
VYM9H-1P-D03-10kA	1	D	3	10
VYM9H-1P-D04-10kA	1	D	4	10
VYM9H-1P-D06-10kA	1	D	6	10
VYM9H-1P-D10-10kA	1	D	10	10
VYM9H-1P-D16-10kA	1	D	16	10
VYM9H-1P-D20-10kA	1	D	20	10
VYM9H-1P-D25-10kA	1	D	25	10
VYM9H-1P-D32-10kA	1	D	32	10
VYM9H-1P-D40-10kA	1	D	40	10
VYM9H-1P-D50-10kA	1	D	50	10
VYM9H-1P-D63-10kA	1	D	63	10
VYM9H-2P-D01-10kA	2	D	1	10
VYM9H-2P-D02-10kA	2	D	2	10
VYM9H-2P-D03-10kA	2	D	3	10
VYM9H-2P-D04-10kA	2	D	4	10
VYM9H-2P-D06-10kA	2	D	6	10
VYM9H-2P-D10-10kA	2	D	10	10
VYM9H-2P-D16-10kA	2	D	16	10
VYM9H-2P-D20-10kA	2	D	20	10
VYM9H-2P-D25-10kA	2	D	25	10
VYM9H-2P-D32-10kA	2	D	32	10
VYM9H-2P-D40-10kA	2	D	40	10
VYM9H-2P-D50-10kA	2	D	50	10
VYM9H-2P-D63-10kA	2	D	63	10
VYM9H-3P-D01-10kA	3	D	1	10
VYM9H-3P-D02-10kA	3	D	2	10
VYM9H-3P-D03-10kA	3	D	3	10
VYM9H-3P-D04-10kA	3	D	4	10
VYM9H-3P-D06-10kA	3	D	6	10
VYM9H-3P-D10-10kA	3	D	10	10
VYM9H-3P-D16-10kA	3	D	16	10
VYM9H-3P-D20-10kA	3	D	20	10
VYM9H-3P-D25-10kA	3	D	25	10
VYM9H-3P-D32-10kA	3	D	32	10
VYM9H-3P-D40-10kA	3	D	40	10
VYM9H-3P-D50-10kA	3	D	50	10
VYM9H-3P-D63-10kA	3	D	63	10
VYM9H-4P-D01-10kA	4	D	1	10
VYM9H-4P-D02-10kA	4	D	2	10
VYM9H-4P-D03-10kA	4	D	3	10
VYM9H-4P-D04-10kA	4	D	4	10
VYM9H-4P-D06-10kA	4	D	6	10
VYM9H-4P-D10-10kA	4	D	10	10
VYM9H-4P-D16-10kA	4	D	16	10
VYM9H-4P-D20-10kA	4	D	20	10
VYM9H-4P-D25-10kA	4	D	25	10
VYM9H-4P-D32-10kA	4	D	32	10
VYM9H-4P-D40-10kA	4	D	40	10
VYM9H-4P-D50-10kA	4	D	50	10
VYM9H-4P-D63-10kA	4	D	63	10

Why you should choose our products



Our products are high-quality and reliable circuit breakers (MCB), residual current circuit breaker, without overcurrent protection (RCCB), residual current circuit breaker with overload protection (RCBO) and voltage monitoring relays that will help you create a safe and comfortable home or workspace. We offer affordable prices for our products, as we understand how important it is to make repairs and construction affordable for everyone. At the same time, we do not skimp on quality, our products meet all necessary safety standards and undergo strict quality control. By choosing our products, you can be sure of their reliability and durability. Create your future with us!

Our concern for the environment

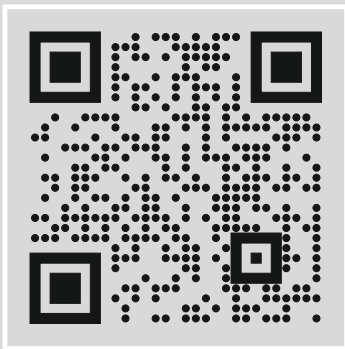
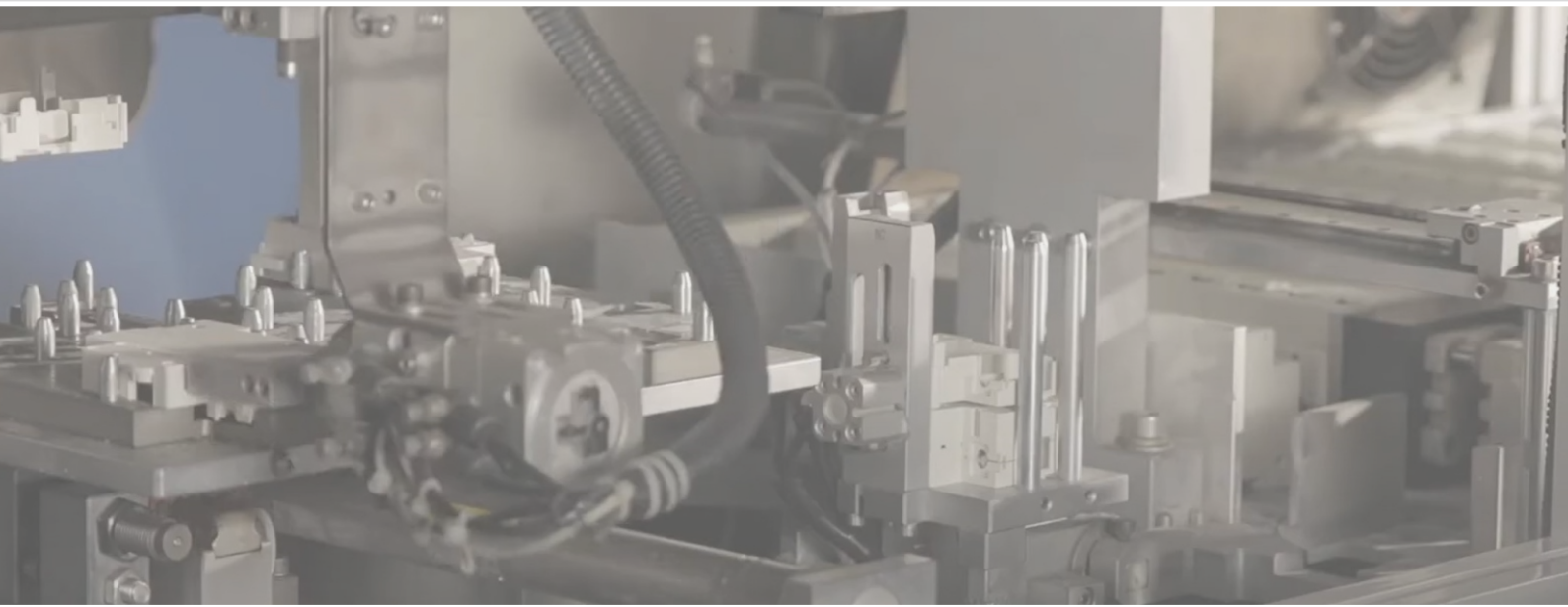


We take care of the environment and use eco-friendly materials for packaging our products. The corrugated cardboard we use can be recycled and reused, which reduces our environmental impact. We hope that after purchasing our products, you will dispose of the packaging correctly in order to protect the environment and preserve natural resources for future generations.

We strive to establish long-term partnerships based on trust and mutual benefit.

VÖTSC HAUS

MCB



Volthaus Industry LLC

Customer service, cooperation offers
and technical support:

tel.: +372 5939 4209

Mon-Fri: 10:00 am - 6:00 pm (EET)

volthaus@mail.ee

Visit our website: volthaus.net

If you have any questions or
need additional information,
please contact us.
We are always happy to help you.

VOLTHAUS

MCB